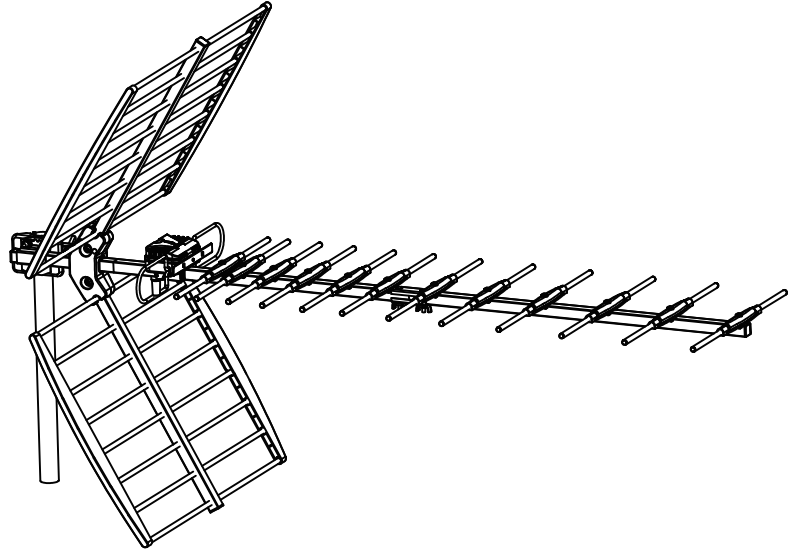
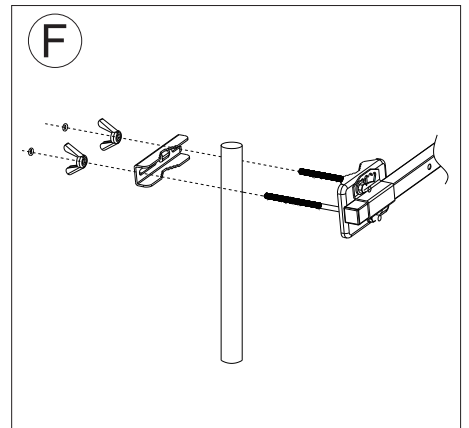
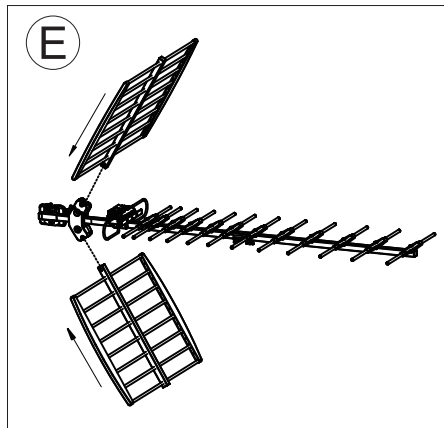
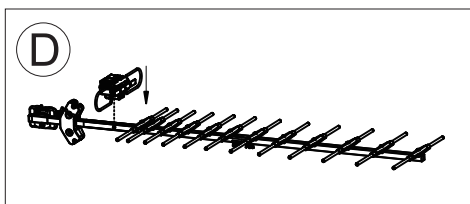
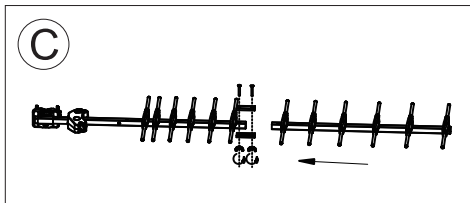
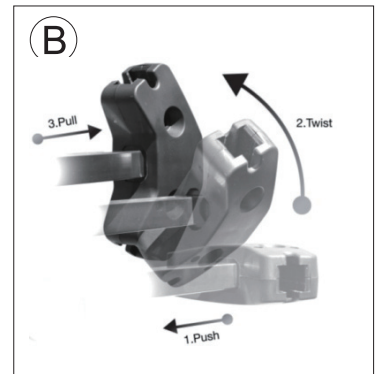
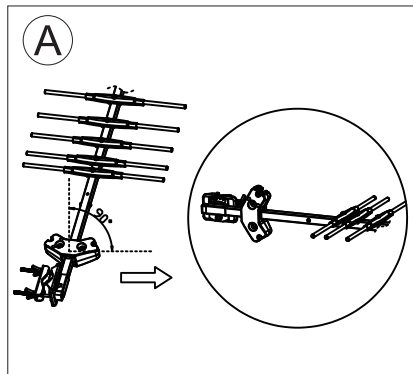
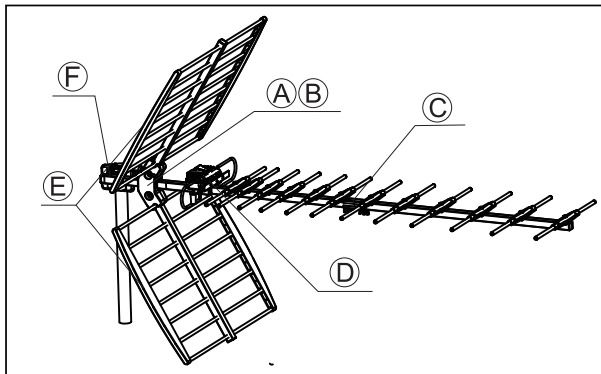


AC44(5G) UHF Antenna 15.5dB

Model	AC44
Band	UHF
Channels	21-48*
Directors	25
Max Gain (dB)	15.5
Beamwidth H/V	35/42
Front/back ratio	28
Polarization adjustment	H-V
Inclination adjustment	SI
Windload (170 Km/h)	11 Kp
Length (m)	1.29
Dipole Clamp (mm)	18



ASSEMBLY INSTRUCTIONS



Specifications subject to change without notice.

